

IMPORTANT INSTRUCTIONS: READ & SAVE THESE INSTRUCTIONS

Runtal® Hydronic Omnipanel® OWNER'S MANUAL

Thank you for purchasing the Runtal Hydronic Omnipanel.

We are very proud of our workmanship and quality, and we are certain that you will be thoroughly satisfied with your new Runtal Omnipanel.

We urge you to contact your local Runtal representative if you have comments or questions.

This manual is intended to show installation and care for all wall-mounted Runtal Hydronic Omnipanels.

Hydronic piping should be performed by a qualified professional.



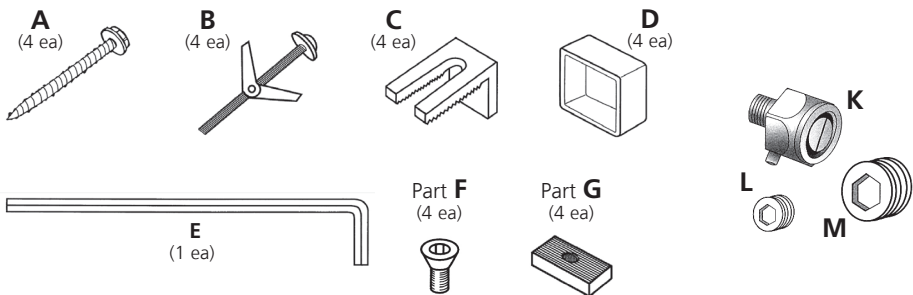
Package Contents:

- 1 Omnipanel
- 1 Mounting Hardware Package
- 1 Owner's Manual

Tools Required:

- Screw Driver
- Electric Drill
- Allen Wrench (included)

MOUNTING HARDWARE



1

RUNTAL NORTH AMERICA, INC. US Tel: 800-526-2621 ▲ Canadian Tel: 888-829- 4901 ▲ www.runtalnorthamerica.com

IMPORTANT INSTRUCTIONS: READ & SAVE THESE INSTRUCTIONS

INSTALLATION INSTRUCTIONS

Please check the contents of the Omnipanel carton to be sure you have received all of the parts required for your particular model. Runtal has made every effort to insure that all of the materials required for mounting your Omnipanel have been included, and depending upon your specific installation conditions, you may have parts left over. The Omnipanel mounting system has been designed for installation by one person, but you may find an assistant helpful.

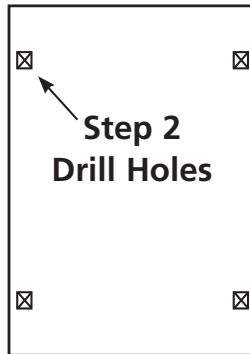
STEP 1 DETERMINE PIPING:

The plumber should determine the piping configuraton for the Omnipanel.

STEP 2 MAKE A TEMPLATE:

For proper installation, the placement of wall brackets and the water hook-up must be exact. The diagrams at the right show the placement of the four mounting brackets for all models. The positioning of the mounting hardware may be completed by:

1. Measuring out the dimensions
2. Asking an assistant to hold the unit to the wall while you trace the four mounting posts, or
3. Making a template by placing the Omnipanel onto a posterboard or large piece of the Omnipanel carton and tracing the mounting posts. The template is then taped to the wall.



STEP 3 DETERMINE WALL CONSTRUCTION:

Drywall construction may require metal wall anchors (part B). Solid wood or placement directly onto blocking will require only the #8 x 1½ long screws (part A). Omnipanels are very sturdy construction, and care should be taken that they are properly and securely hung using all four mounting points.

STEP 4 DRILL HOLES:

Be sure to drill the mounting holes in the middle of the mounting brackets marks. Use of metal anchors will require 5/16" holes while use of #8 x 1½ long screws will require 1/16" holes.

2

RUNTAL NORTH AMERICA, INC. US Tel: 800-526-2621 ▲ Canadian Tel: 888-829- 4901 ▲ www.runtalnorthamerica.com

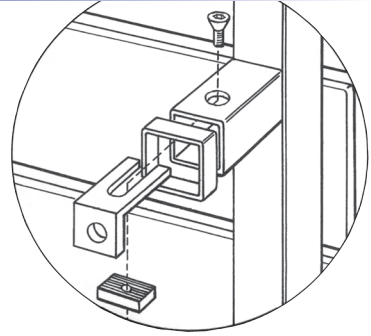
IMPORTANT INSTRUCTIONS: READ & SAVE THESE INSTRUCTIONS

STEP 5 FASTEN THE WALL BRACKETS:

Using the appropriate fastener, attach the four "L" brackets (part C) to the wall. Be sure that the grooves in these brackets are facing down. Once positioned, the "L" brackets should be tightly secured.

STEP 6 ASSEMBLE THE OMNIPANEL BRACKETS:

Slip a grooved nut (part G) inside one of the brackets on the back of the Omnipanel (making sure the grooves on the nut are facing up). Loosely screw the hex screw (part F) into this nut, and repeat on all four brackets. Then on all models, slide the four plastic sleeves (part D) over the Omnipanel brackets. Use of sleeves is optional, but they provide a finished, flush appearance on uneven walls. If the installation has a good, flat surface, use of the sleeves may not be desired.



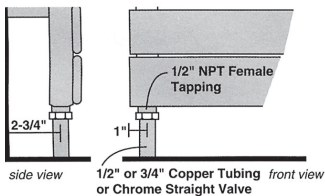
STEP 7 HANG THE OMNIPANEL ON THE WALL:

Once the hex screw and nut are loosely positioned, simply slide the Omnipanel onto the wall brackets, and tighten the hex screws with the hex wrench (part E).

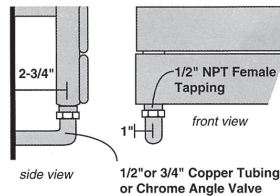
STEP 8 MAKE THE PIPING CONNECTIONS:

Hydronic Piping Details

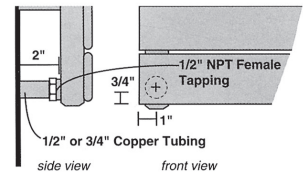
Bottom Type Vertical Piping to Floor



Bottom Type Vertical Piping to Wall



Back Type Rear Piping to Wall



STEP 9 ADD AIR VENTS AND PLUGS:

Add air vent (part K) and plugs (parts L and M) in tappings not used and properly seat with tape and pipe dope.

IMPORTANT INSTRUCTIONS: READ & SAVE THESE INSTRUCTIONS

MAINTENANCE INSTRUCTIONS

CLEANING AND MAINTENANCE:

The Omnipanel's painted finish provides an elegant yet durable finish to this welded steel product. Occasional cleaning (minimum annually) of this finish is best done with a water dampened cloth. **Under no circumstances should abrasive cleaners, cloths, or pads be used.** It is also important to keep a record of the exact color of your Omnipanel as Runtal normally has touch up paint available. Any other servicing should be performed by an authorized service representative.

