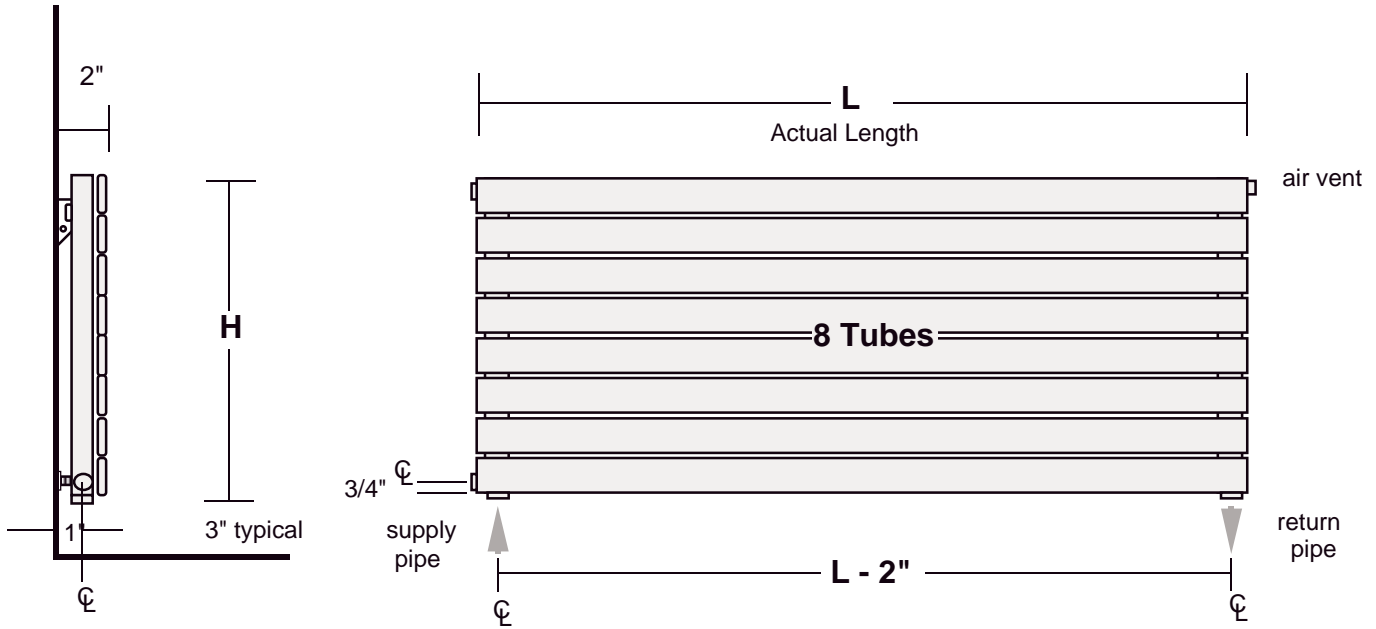
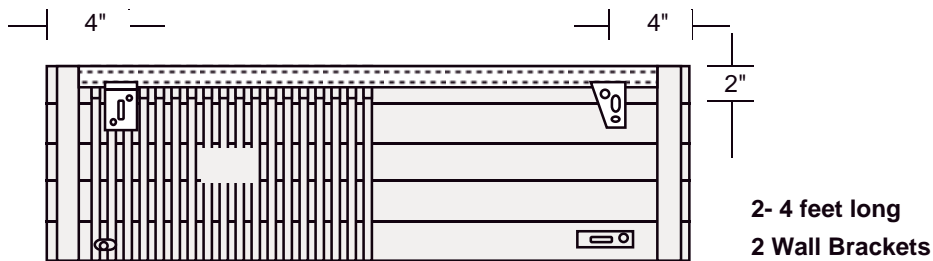
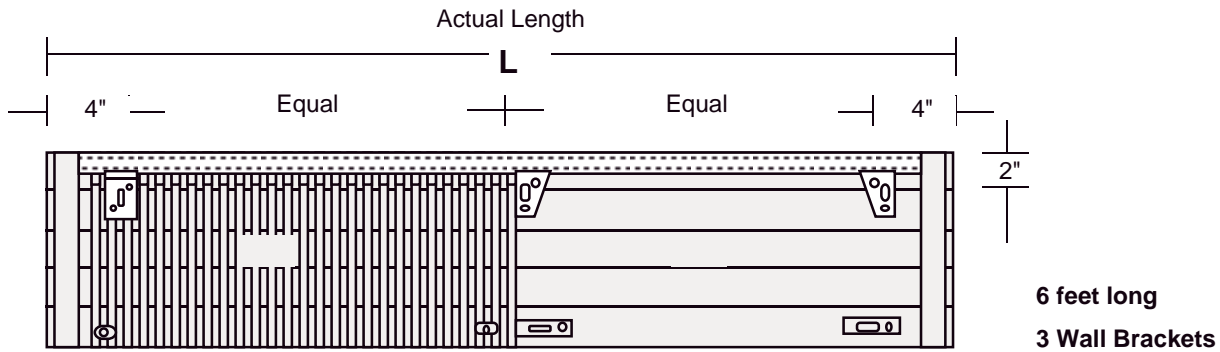


UF Standard Wall Panel Specifications



# Tubes	Model	H
6	UF6	17.3 in
8	UF8	23.1 in



Runtal North America, Inc.
 187 Neck Road
 PO Box 8278
 Ward Hill, MA 01835
 1-800-526-2621
 In Canada: 1-888-829-4901
 Fax 1-978-372-7140
<http://www.runtalnorthamerica.com>
info@runtalnorthamerica.com