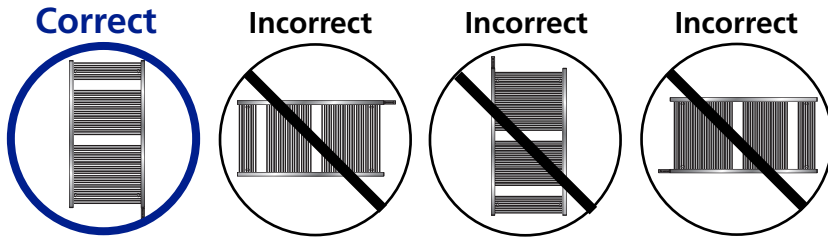
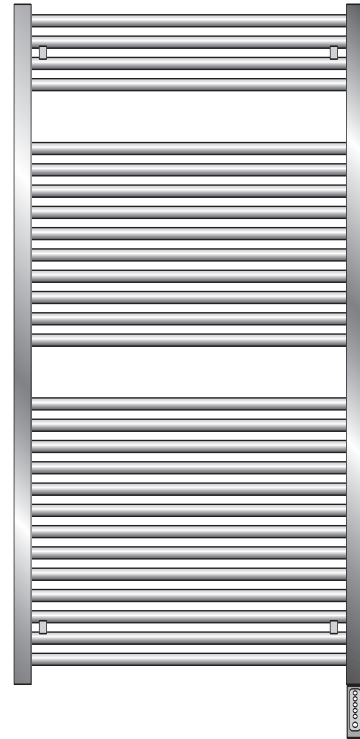


Runtal® RADIA

OWNER'S MANUAL & INSTALLATION INSTRUCTIONS

Thank you for purchasing the Runtal Radia. We are very proud of our workmanship and quality, and we are certain that you will be thoroughly satisfied with your new Runtal Radia. We urge you to contact your local Runtal representative if you have comments or questions. This manual is intended to show installation and care for your Runtal Radia. Electrical connection, or hydronic piping should be performed by qualified professionals. The plug-in model is intended for quick and easy homeowner installation.

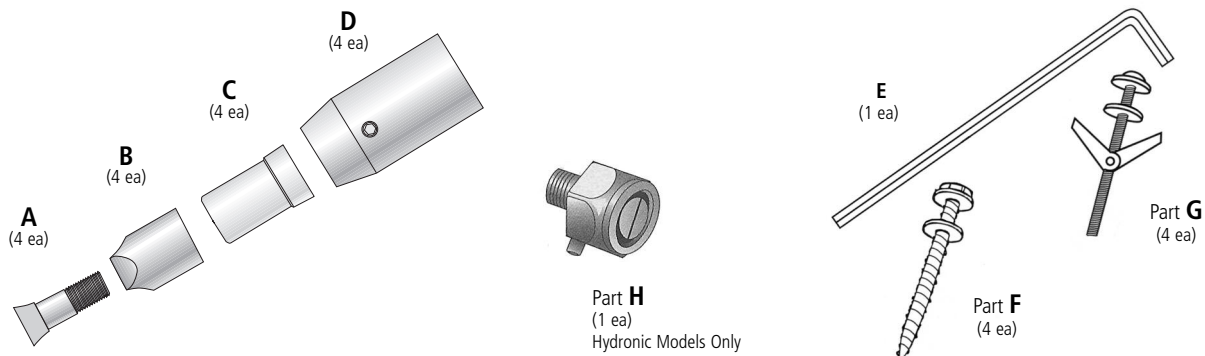
- The electric Runtal Radia must be used only when wall mounted in an upright position with the control switch in the lower right hand corner.



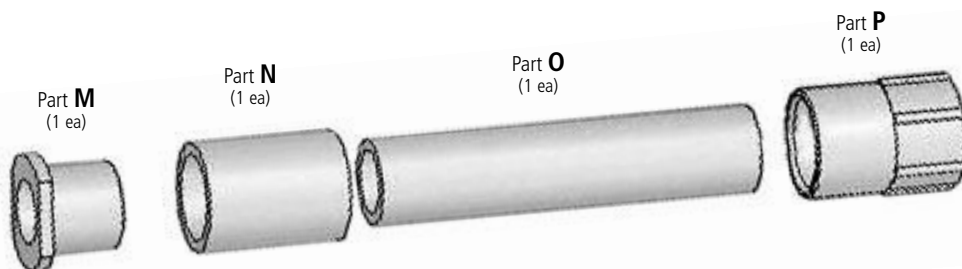
CONTENTS:
 1 Runtal Radia Radiator
 1 Mounting Hardware Package
 1 Owner's Manual

TOOLS REQUIRED:
 Screw Drivers
 Electric Drill
 Allen Wrench (included)
 Level

ALL MODELS HARDWARE

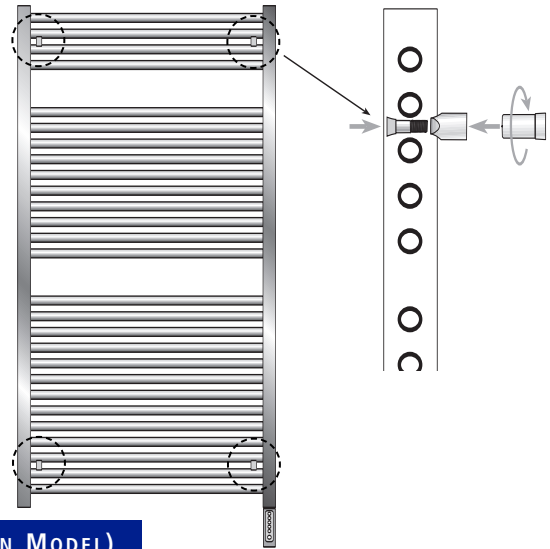


ELECTRICAL MODELS (DIRECT WIRE)



INSTALLATION

Please check the contents of the Runtal Radia carton to be sure you have received all of the parts required. Runtal has made every effort to ensure that all materials required for mounting your unit have been included, and depending upon specific installation conditions, you may have parts left over. The mounting system has been designed for installation by one person, but you may find an assistant helpful.

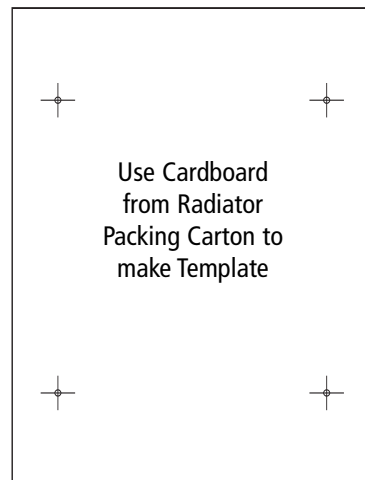


STEP 1 DETERMINE WIRING OR PIPING (IF OTHER THAN A PLUG-IN MODEL)

The electrician should start by providing the wiring to the Radia if the model is electrical. The easiest termination of wires at the radiator is accomplished using stranded conductors or 14/2 Romex (#12 AWG solid wire is not recommended because of termination difficulties). If the unit is hydronic, the plumber should determine the piping configuration.

STEP 2 ATTACH THE FOUR POSTS TO THE RADIATOR

Position the four posts, parts A, B, & C as shown in the diagram on the right. The placement of the mounting posts is flexible, however it is recommended where possible that the posts be placed near the corners of the unit between the second and third tubes from the top and bottom. All four posts supplied with the towel radiator must be used, half as top supports and half as bottom supports.



STEP 3 POSITION THE RADIATOR ON THE WALL

To hang the unit either: (1) Ask an assistant to hold the unit against the wall while you trace the four mounting posts. (2) Measure out the post positions. (3) Make a template by placing the towel radiator onto a posterboard or a large piece of the carton and tracing the mounting posts. The template is then taped to the wall.

STEP 4 DETERMINE WALL CONSTRUCTION

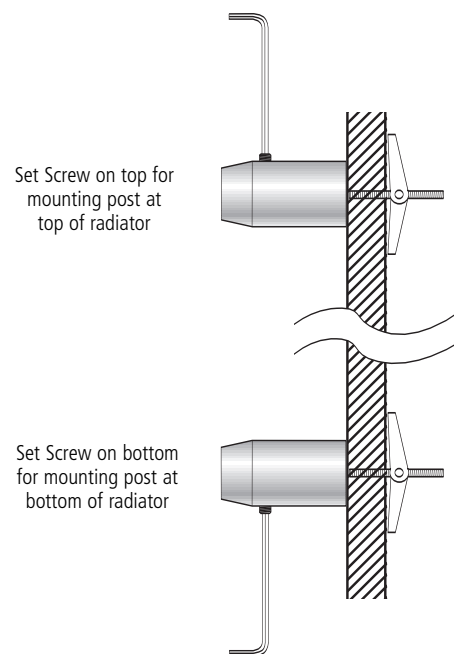
For solid wood or placement into blocking use the provided #8 x 1-1/2" long screw with washers, (part F). For drywall construction use the included metal anchors with washers, (part G). Runtal towel radiators are very sturdy and care should be taken that they are securely hung using all four mounting posts.

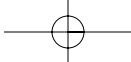
STEP 5 DRILL HOLES

Drill holes for appropriate anchors in the middle of all four traced circles. Use of the metal wall anchors will require a 5/16" hole; use of the 1-1/2" screw will require a 1/16" pilot hole.

STEP 6 FASTEN THE BRACKET SLEEVES TO THE WALL

Using the proper fasteners (either the metal anchors or #8 screws) attach the mounting sleeves (Part D) to the wall. Fasten the sleeves with the set screw on the top for sleeves at the top of the radiator and set screw on bottom for sleeves at bottom of radiator.





STEP 7 HANG THE TOWEL RADIATOR ON THE WALL

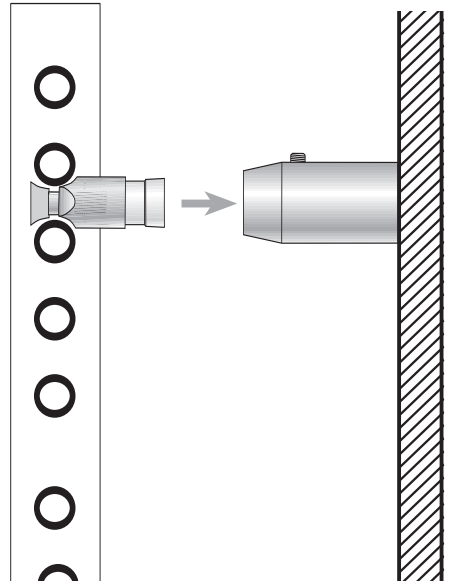
Insert all four radiator posts into the four wall sleeves and tighten each set screw.

STEP 8 MAKE THE ELECTRICAL OR PIPING CONNECTIONS

Please refer to electrical details or hydronic details below.

STEP 9 (HYDRONIC MODELS ONLY)

Install air vent, (part H) and properly seal with pipe dope.

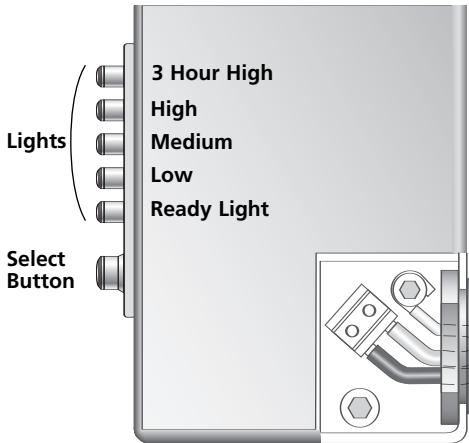


ELECTRICAL DETAILS

Electrical Installation Procedure:

All electrical towel radiators are designed for 120v AC 60HZ and must be GFCI protected. In the case of plug-in models this protection is integrated into the cord provided. In the case of the direct wire models, GFCI protection must be provided at the circuit breaker by a qualified electrician.

To install the direct wire model the electrician should follow these steps:



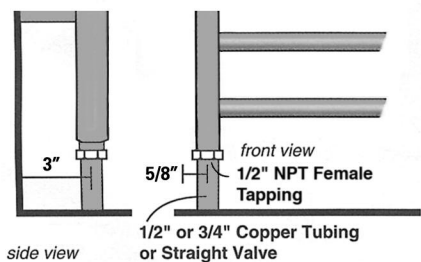
- (1) Remove the two screws on the side of the control unit.
- (2) Remove the control unit cover by pulling it forward.
- (3) Remove the electrical connection access cover.
- (4) Using the appropriate cement, cement Part M into Part N. Leave an 1/8" space between these parts.
- (5) Cut Part O to the required length and cement it to Parts N and P. A strain relief (provided by the electrician) is threaded to Part O.
- (6) Run the electrical wires through the conduit, secure the strain relief and slide Part M into the slot of the electrical junction box as shown.
- (7) Connect the three wires as indicated.
- (8) Replace the electrical connection access cover and the control unit cover, fasten in place with two screws.

Location of Conduit:

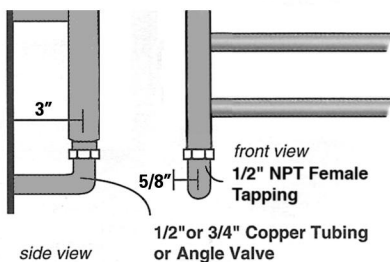
Starting at the bottom right side of the control go up 3/4" and over to the left 5/8". This is where you drill the hole in the wall to make the connection to the junction box on the unit.

Connections for wires is as follows: Black to line, White to neutral, Green to ground

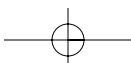
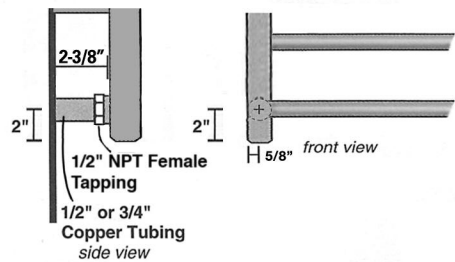
BOTTOM TYPE- VERTICAL PIPING TO FLOOR



BOTTOM TYPE- VERTICAL PIPING TO WALL



BACK TYPE- REAR PIPING TO WALL



OPERATION & MAINTENANCE

OPERATION

When plugged in or direct-wired the red ready light will always remain on unless the power is interrupted. This ready light is the basic off position. Towel radiators come complete with 5 power settings (Off, Low, Medium, High, and 3 Hour Timer at High Setting). Press the select button to reach the desired setting. While the fastest heating will be achieved on the high setting (approximately 25 minutes to full heat), the low or medium settings will produce

optimum heating efficiency. Cold rooms will benefit by leaving the unit on longer. You may wish to use our Electric Programmable Controller (EPC) for maximum efficiency. **Hydronic** models are made for a closed-loop hot water heating system only. Typical concerns are: water temperature, flow rate, and controlling thermostats and valves. Consult with the installing heating contractor for the proper choice of the available **Hydronic** models, and installation specifics.

MAINTENANCE

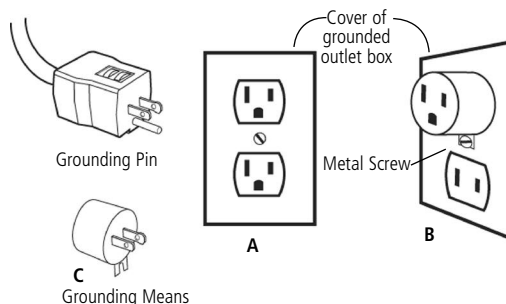
Your Runtal towel radiator has been designed to require the absolute minimum maintenance and care under normal use. However, care should be taken when cleaning the surface of the towel radiator. As with any electrical appliance, the electric towel radiator should only be cleaned when in the OFF

position (unplugged if possible). The towel radiator's painted finish provides an elegant yet durable finish to this welded steel product. Occasional cleaning of this finish is best done with a water dampened cloth. **Under no circumstances should abrasive cleaners, cloths or pads be used.**

IMPORTANT INSTRUCTIONS

When using electrical appliances, basic precautions should always be followed to reduce the risk of fire, electric shock, and injury to persons, including:

- 1) Read all instructions before using this heater.
- 2) Extreme caution is necessary when any heater is used by or near children or invalids and whenever the heater is left operating and unattended.
- 3) Always unplug heater when not in use.
- 4) Do not operate any heater with a damaged cord or plug or after the heater malfunctions, or has been damaged in any manner. Return the heater to an authorized service facility for examination, electrical or mechanical adjustment, or repair.
- 5) Do not run the cord under carpeting. Do not cover the cord with throw rugs, runners, or the like. Arrange the cord away from traffic areas and where it will not be tripped over.
- 6) To disconnect heater, press control to off, then remove the plug from the outlet.
- 7) Use this heater only as described in this manual. Any other use not recommended by the manufacturer may cause fire, electric shock, or injury to persons.
- 8) Avoid the use of an extension cord, because the extension cord may overheat and cause a risk of fire. However if you have to use an extension cord, the cord should be NO. 18 AWG min. size and rated not less than 875 watts. For 900 watt models, the cord should be NO. 16 AWG min. size and rated not less than 1125 watts.
- 9) This heater is for use on 120 volts. The plug-in model has a cord as shown in A of drawings below. An adapter as shown at C is available for connecting three-blade grounding-type plugs to two slot receptacles. The green grounding lug extending from the adapter must be connected to a permanent ground such as a properly grounded outlet box. The adapter should not be used if a three-slot grounded receptacle is available.



- 10) Connect to properly grounded outlets only.
- 11) Do not use outdoors.



RUNTAL NORTH AMERICA, INC.
 Tel: (978) 373-1666
 Fax (978) 372-7140
 www.runtalnorthamerica.com

SAVE THESE INSTRUCTIONS