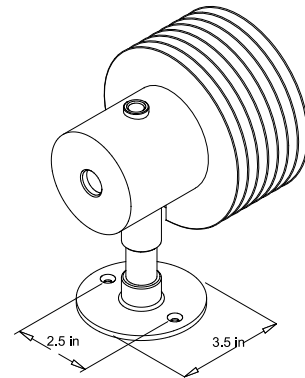
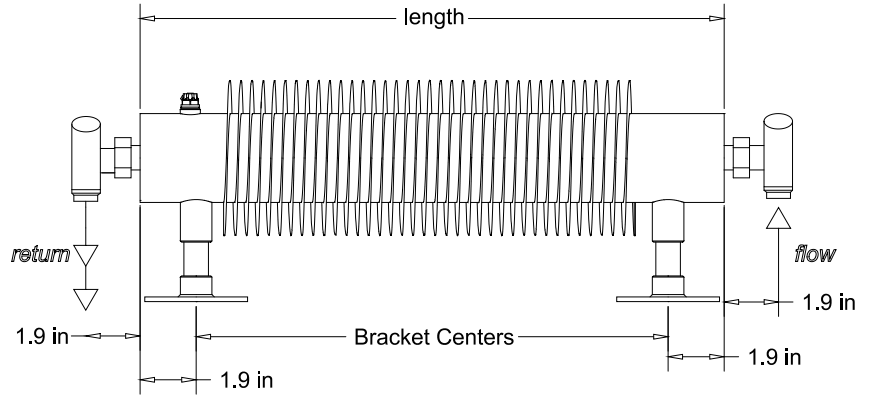
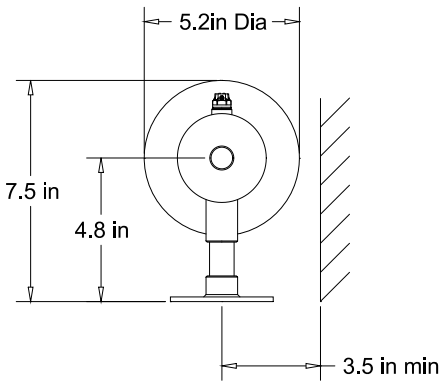


LARGE DIAMETER - XFF SERIES



Pedestal Base

Test pressure: 174 P.S.I.

Max working pressure: 100 P.S.I.

Max working temperature : 200 °F

This radiator may only be installed horizontally on the floor.

Connections: 1 / 2 inch **BSP** underside tapping, angle valves with 1 / 2 inch **NPT** female to pipe included.

For closed loop hot water systems only.

Not for use with domestic hot water system.

This radiator may only be installed horizontally as shown.

MODEL	HEIGHT	LENGTH	PIPE CENTERS	BRACKET CENTERS
XFF-100	7.5 in	39.4 in	43.2 in	35.6 in
XFF-150	7.5 in	59.1 in	62.9 in	55.3 in
XFF-200	7.5 in	78.8 in	82.6 in	76.0 in