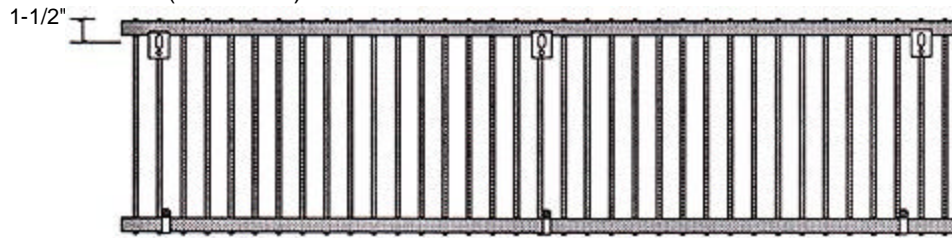


## Model Type RS2 Wall Mounting

### RS2 Models (back view)

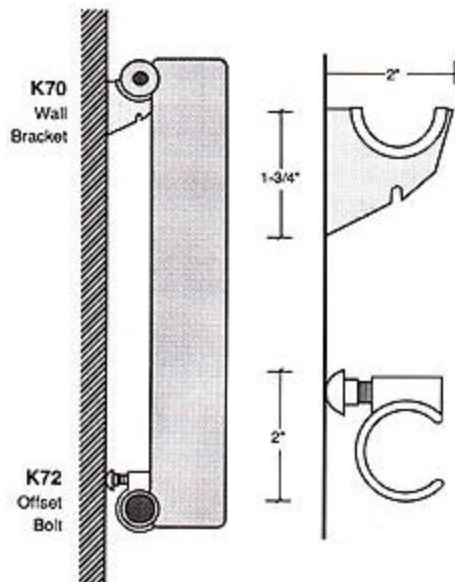


For Radiators **6" to 60"** Long - Use **2 K70** Brackets, one at each end

**62" to 138"** Long - Use **3 K70** Brackets, one at each end, one at the center

**140" to 236"** Long - Use **4 K70** Brackets, one at each end, two distributed evenly in the middle

**238" to 240"** Long - Use **5 K70** Brackets, one at each end, three distributed evenly in the middle



**K70** Wall Bracket - Support Bracket used at the top header of the Radiator

**Normally shipped with the Radiators**

**K72** Offset Bolt - Carriage Bolt assembly pressed onto the bottom header of the Radiator for leveling with the wall.