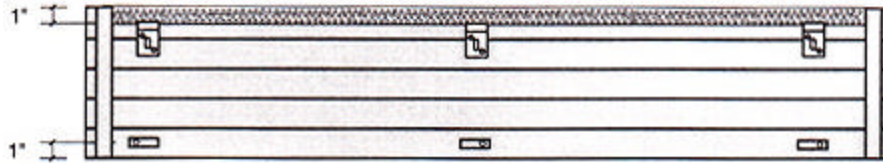


Model Type R2F Wall Mounting

R2F Models (back view)



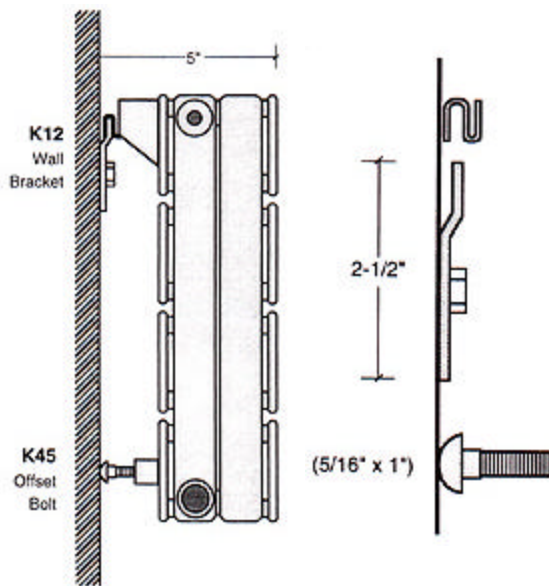
For Radiators **20" to 60"** Long - Use **2 K11** Brackets, one at each end

62" to 138" Long - Use **3 K11** Brackets, one at each end, one at the center

140" to 236" Long - Use **4 K11** Brackets, one at each end, two distributed evenly in the middle

238" to 296" Long - Use **5 K11** Brackets, one at each end, three distributed evenly in the middle

298" to 354" Long - Use **6 K11** Brackets, one at each end, four distributed evenly in the middle



R clip - Mount to the grille back on the R Radiator at the K12 Positions

K12 Wall Bracket - Support Bracket used with R Radiators

Normally shipped with the Radiators

K45 Offset Bolt - Carriage Bolt used at each weld nut at the bottom of the Radiator for leveling with the wall