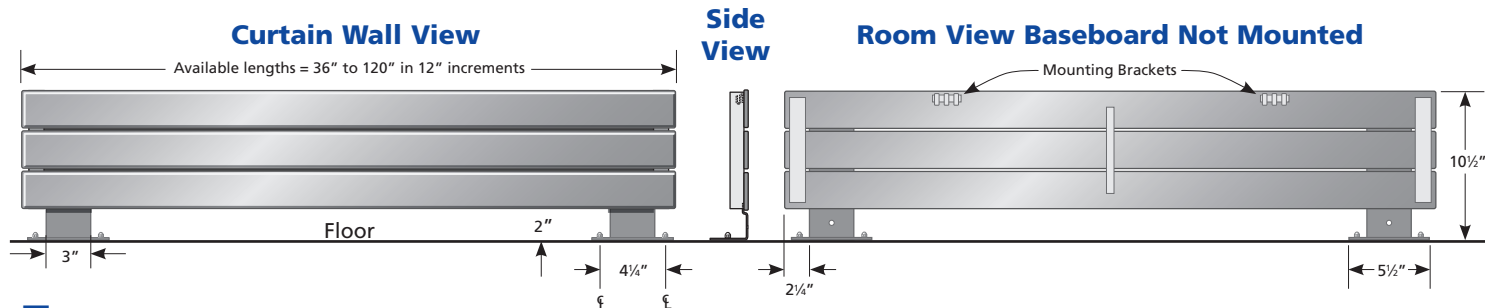


Runtal® Electric Baseboard Pedestal Accessory

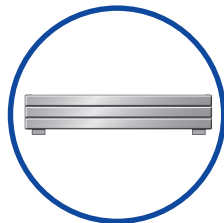
INSTALLATION INSTRUCTIONS



Thank you for purchasing the Runtal Electric Baseboard Pedestal Accessory. We are very proud of our workmanship and quality, and we are certain that you will be thoroughly satisfied with your new Runtal Electric Baseboard Pedestal. We urge you to contact your local Runtal representative if you have comments or questions. These instructions are intended to show installation of your Runtal Electric Baseboard Pedestal. The electrical wiring connections must be made by a qualified professional electrician. Wiring procedures and connections should be in accordance with the National Electric Code (NEC) and local codes.

The Runtal Electric Baseboard Pedestal must be installed against the floor in a horizontal orientation as shown below. The electrical wiring can connect at either end.

Correct Orientation



Incorrect Orientations



CONTENTS:

- 1 Runtal Electric Baseboard Pedestal
- 1 Mounting Hardware Package

Proper installation requires Runtal Electric Baseboard Pedestal to rest on its base. No other orientations are acceptable.

STEP 1 UNPACKING

Unpack the Electrical Baseboard Pedestal and place in front of the wall with finished tubes toward the curtain wall and the brackets toward the room side.

STEP 2 ROUGH WIRING

Locate the rough wiring to the left or right side of the Pedestal (wiring may be done on either side). Once wiring is available, pull wire up through the Pedestal base plate.

STEP 3 MOUNTING PEDESTAL

Bolt the Pedestal firmly to the floor with two lag bolts (by others).

STEP 4 ATTACHING BASEBOARD TO PEDESTAL BASE

Hang the Electric Baseboard Radiator from the brackets and connect the wiring to the Electric Baseboard per the Electric Baseboard Instructions.

STEP 5 SECURING PEDESTAL AND BASEBOARD

Secure the bottoms of the Pedestal and Electric Baseboard with bolts provided.

